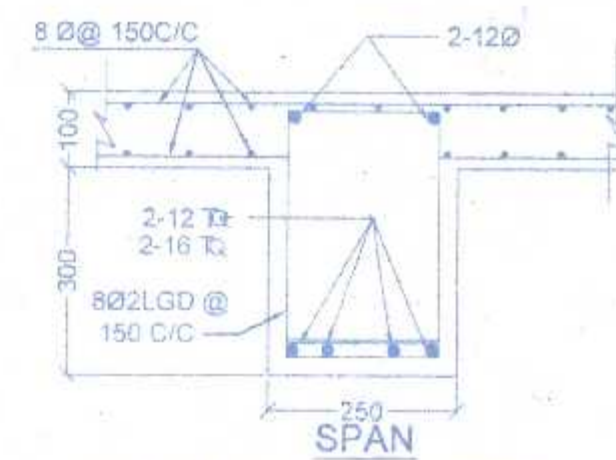
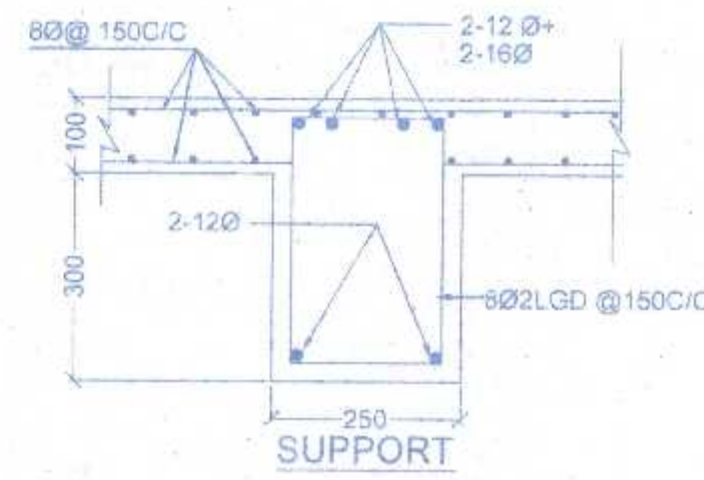
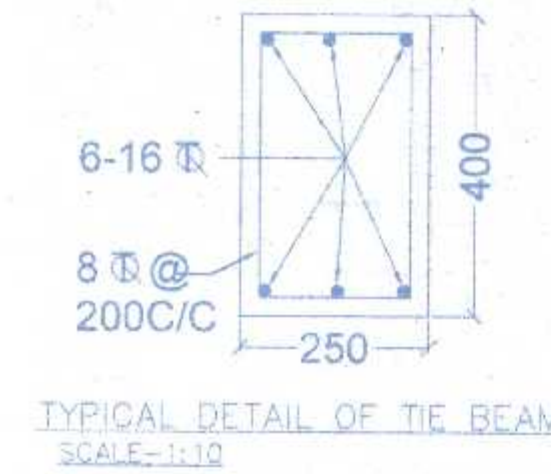


SCHEDULE OF R.C.C. BEAM

BEAM MKD.	SIZE	REINFORCEMENT				STIRRUPS
		SPAN		SUPPORT		
		TOP	BOT	TOP	BOT	
B1	250X400	2-12 T 2-16 T	2-12 T 2-16 T	2-12 T 2-16 T	2-12 T	8 T 2LGD @ 150 C/C
B11	200X500	2-12 T	2-12 T 2-16 T	2-12 T 2-16 T	2-12 T	8 T 2LGD @ 150 C/C
B2	200X400	2-12 T 1-16 T	2-12 T 3-16 T	2-12 T 3-16 T	2-12 T 1-16 T	8 T 2LGD @ 200 C/C
B3	250X450	3-16 T	3-16 T 2-20 T	3-16 T 2-20 T	3-16 T	8 T 2LGD @ 150 C/C
B4	250X450	2-16 T 1-20 T	2-16 T 3-20 T	2-16 T 3-20 T	2-16 T 1-20 T	8 T 2LGD @ 150 C/C



DETAILS CROSS-SECTION OF BEAM MKD B1
NOT TO SCALE



TYPICAL DETAIL OF TIE BEAM
SCALE-1:10

SCHEDULE OF R.C.C. COLUMN

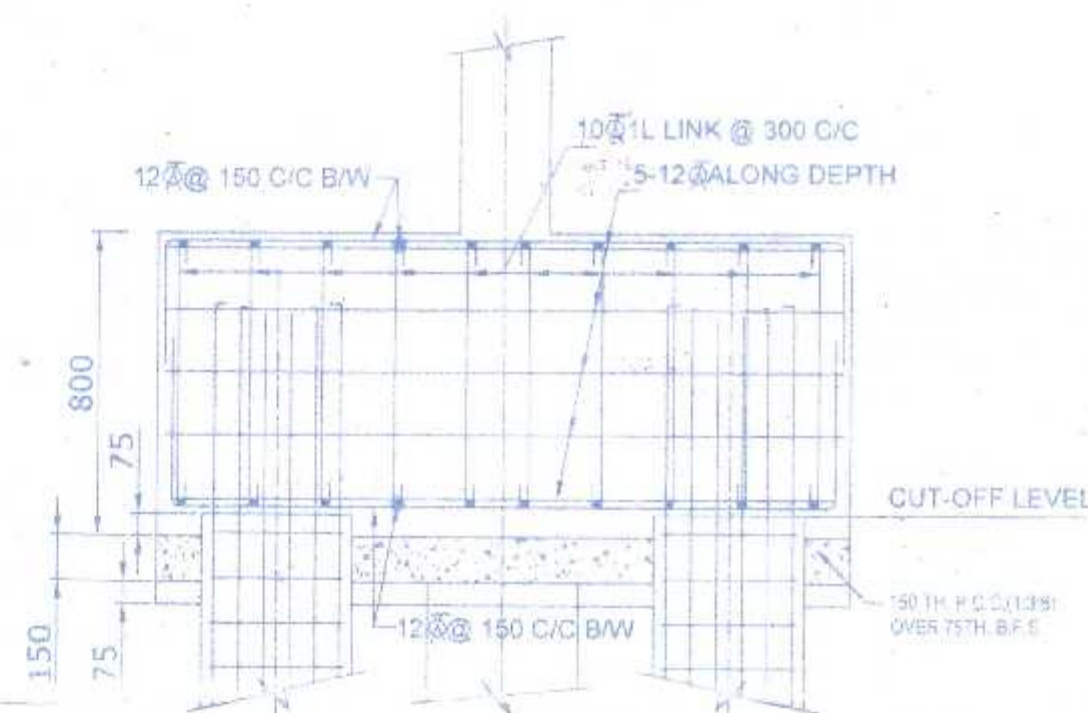
COLUMN MKD.	SIZE	REINFORCEMENT	
		MAIN BAR	LATERAL TIES
C1	250X400	8-16 T	8 T 2LGD @ 200 C/C
C2	200X450	4-20 T+4-20 T	8 T 2LGD @ 200 C/C
C3	250X450	4-16 T+6-20 T	8 T 2LGD @ 200 C/C
C4	250X500	6-20 T+4-20 T	8 T 2LGD @ 200 C/C

SCHEDULE OF R.C.C. SLAB

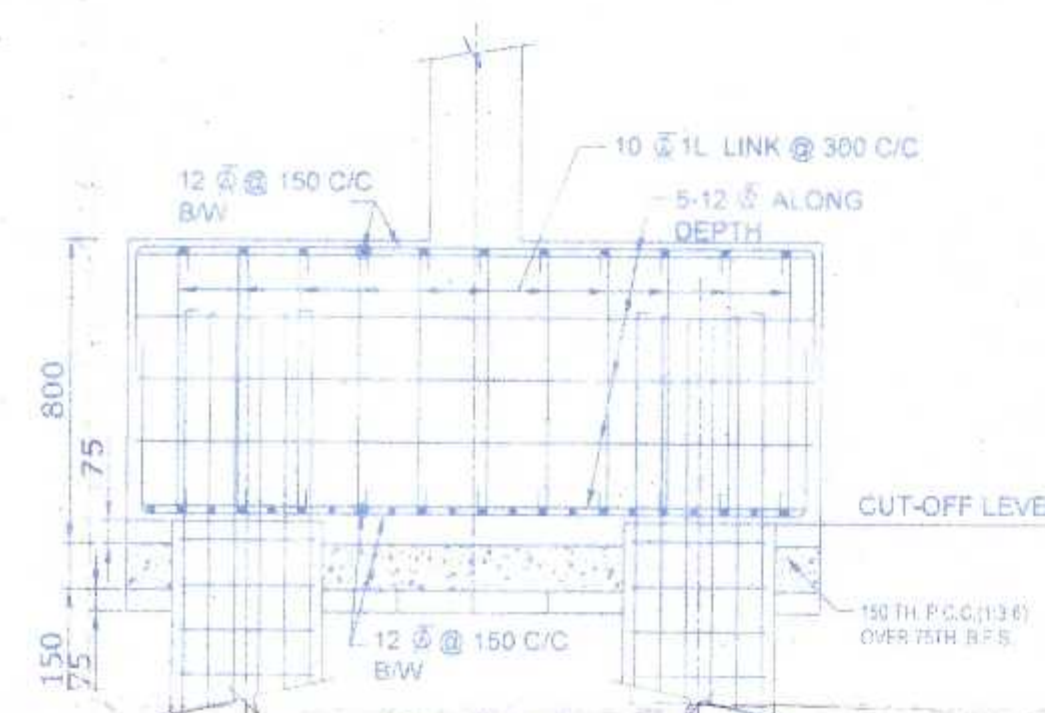
SLAB MKD.	DEPTH	COVER	REINFORCEMENT	
			LONG SPAN	SHORT SPAN
S1	100	15	8 T @ 200 C/C	8 T @ 100 C/C
S2	100	15	8 T @ 200 C/C	8 T @ 200 C/C

SCHEDULE OF PILE CAP

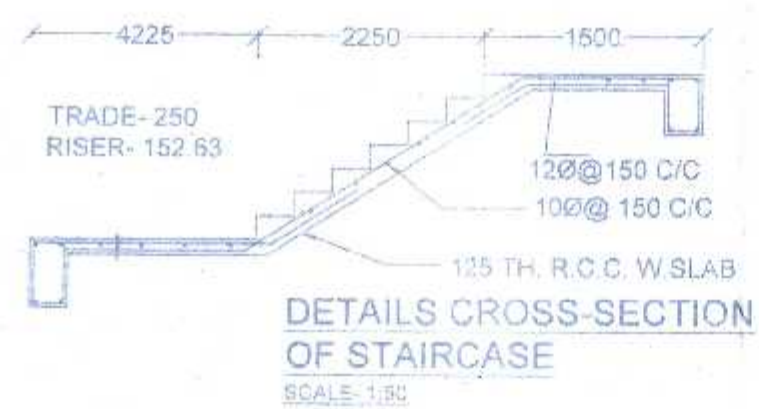
PILE CAP MKD.	NO. & DIA. OF PILE	CUT-OFF LEVEL	LENGTH OF PILE (M)	REINFORCEMENT OF PILE	RING	STIFFENER
PC3	3 (500Ø)	-1.500	-1.9	6-12 T	8 mm helical ring @ 150c/c	10mm T @ 1000c/c
PC4	4 (500Ø)	-1.500	-1.9	6-12 T	8 mm helical ring @ 150c/c	10mm T @ 1000c/c



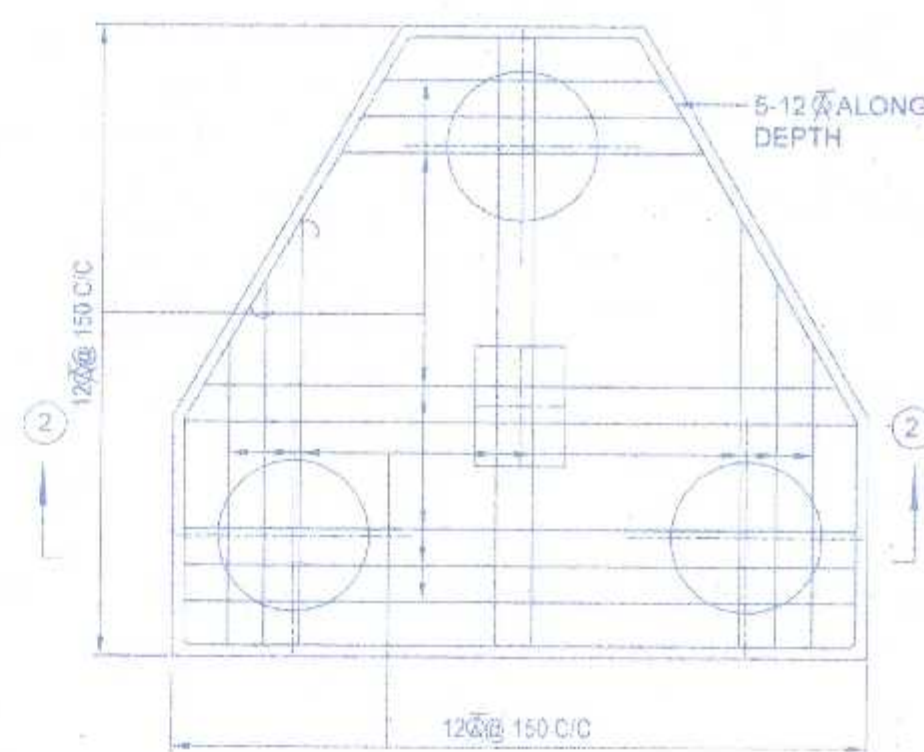
SEC AT 2-2
SCALE=1:25



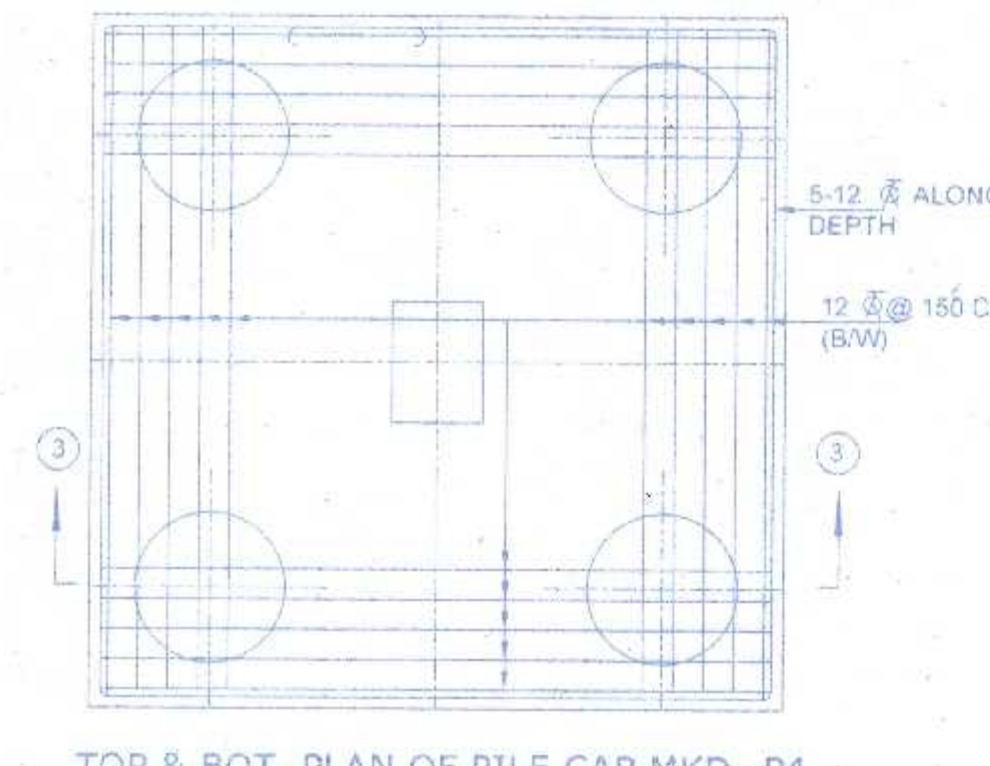
SEC AT 3-3
SCALE=1:25



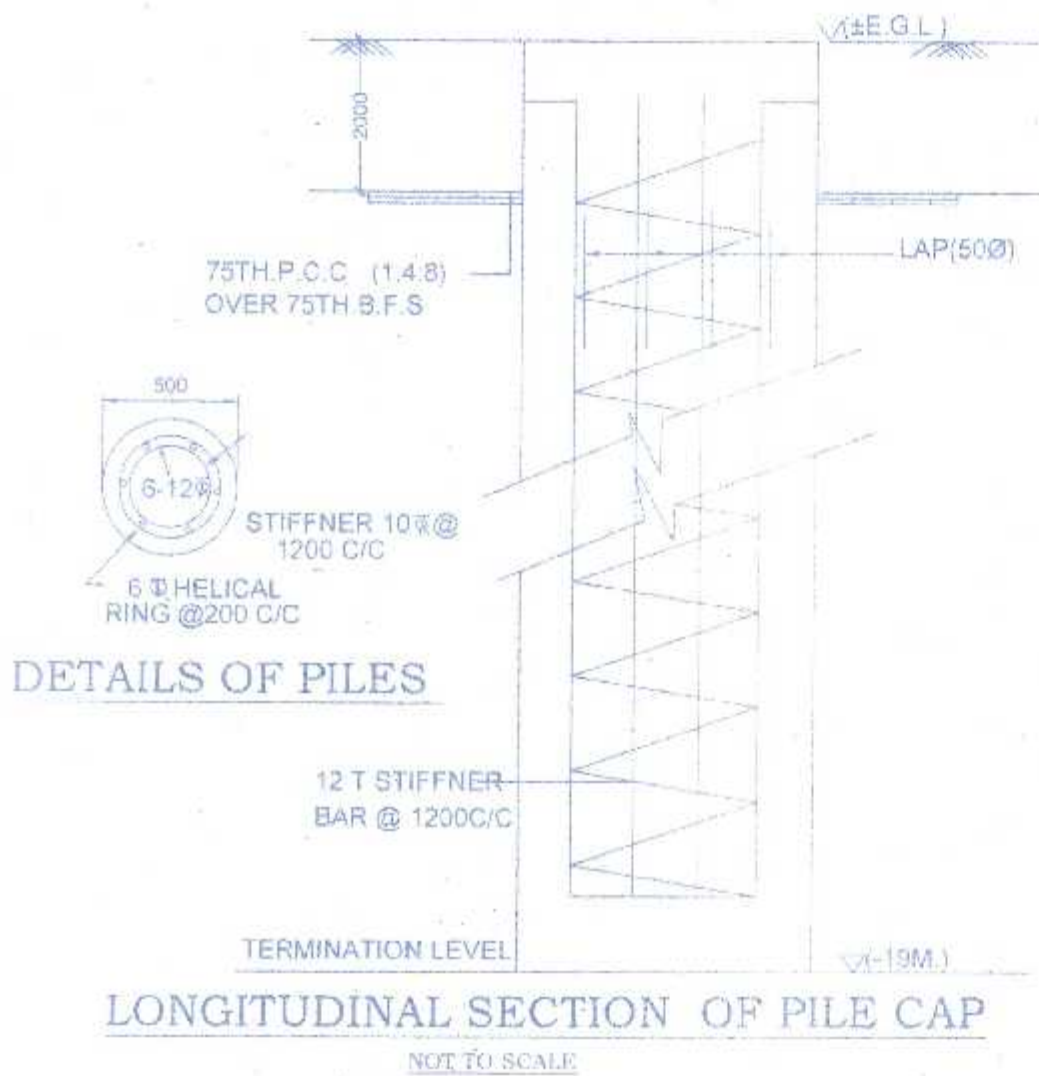
DETAILS CROSS-SECTION OF STAIRCASE
SCALE:1:10



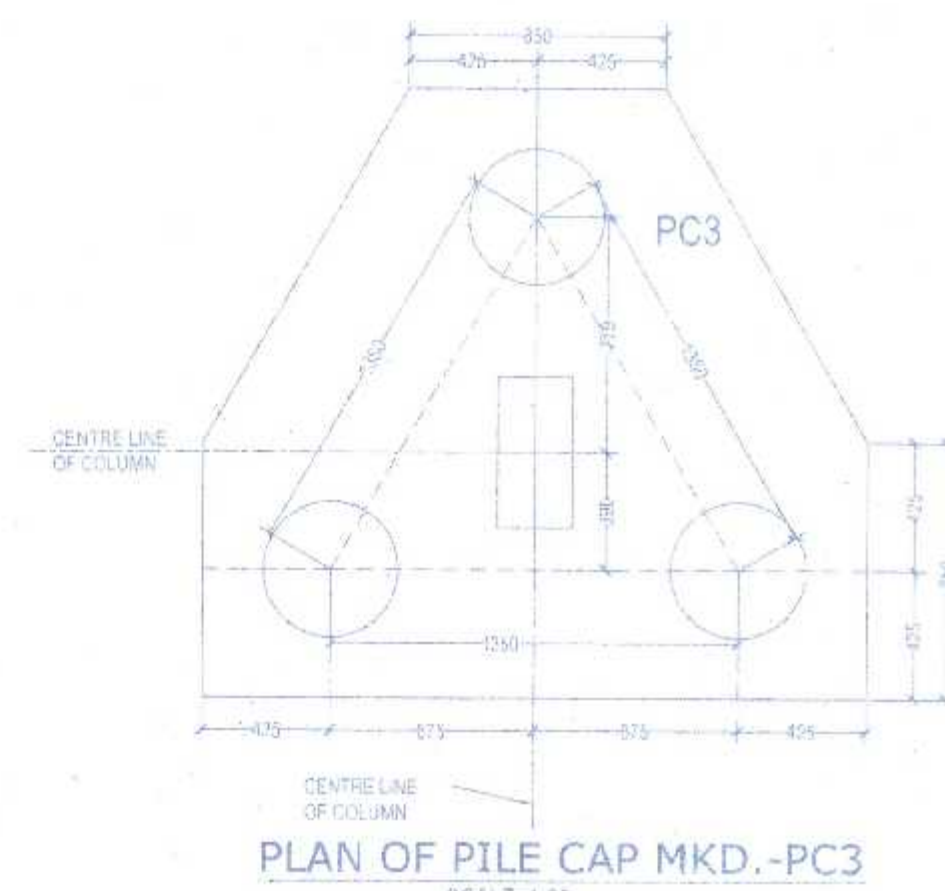
TOP & BOT. PLAN OF PILE CAP MKD.-PC3
SCALE=1:25



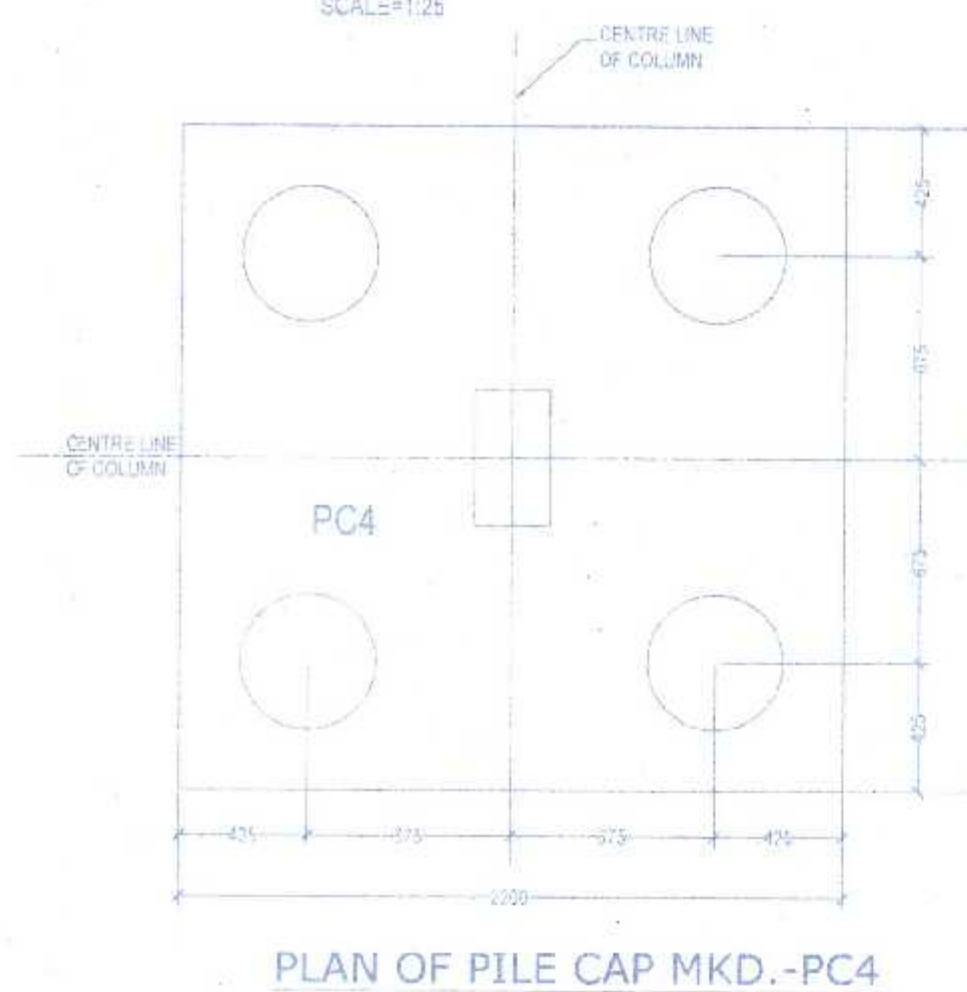
TOP & BOT. PLAN OF PILE CAP MKD.-PC4
SCALE=1:25



LONGITUDINAL SECTION OF PILE CAP
NOT TO SCALE



PLAN OF PILE CAP MKD.-PC3
SCALE=1:25



PLAN OF PILE CAP MKD.-PC4
SCALE=1:25

SHEET NO.- 05.

DRAWING TITLE :- DETAILS OF PILE, PILE CAP, STAIR, BEAM, TIE BEAM & SCHEDULES.

PROPOSED SEVEN (G+VI) STORIED RESIDENTIAL BUILDING PLAN AT HOLDING NO:11(NEW), CAL JESSORE ROAD; PREMISES NO.- 435/11, CAL JESSORE ROAD; KOLKATA- 70055; UNDER MOUZA- SHYAMNAGAR; J.L. NO.- 32/20, R.S. KHATIAN NO.- 47; R.S. DAG NO.-176; P.S.- DUM DUM UNDER S.D.D.M. IN WARD NO.-21, DIST:- 24 PGS(N).

NAME OF OWNER:

- PANCHMUKHI VILLA LLP.
 - PANCHMUKHI SKYSCRAPER LLP.
 - PANCHMUKHI NIKETAN LLP.
- ALL REPRESENTED BY IT'S PARTNER:-
"MR. ANIL KUMAR SARAF."

NOTE :

- ALL DIMENSIONS ARE IN MM. SCALE -AS SHOWN.
- NATURE OF LAND: BASTU.
- ALL OUTER WALL 200 MM. THK.
- ALL INTERNAL WALL 75 MM. THK.
- ALL PARTITION WALL 125 MM. THK.

CERTIFICATE OF OWNER

CERTIFIED THAT I SHALL NOT ON A LATER DATE MAKE ANY ADDITION OR ALTERATION TO THIS PLAN SO AS TO CONVERT IT FOR MY USE OR ALLOW IT TO BE USED FOR SEPARATE FLATS/FLOOR/STOREY. CERTIFIED THAT I HAVE GONE THROUGH THE BUILDING RULES FOR S.D.D.M. & ALSO UNDERTAKE TO ABIDE BY THOSE RULES DURING & AFTER CONSTRUCTION OF BUILDING. CERTIFIED THAT I ALSO UNDERTAKE TO REPORT OF COMMENCEMENT BEFORE SEVEN DAYS & COMPLETION WOULD BE REPORTED WITHIN 30 DAYS. I ALSO UNDERTAKE TO REPORT THAT THERE IS NO COURT CASE OR ANY COMPLAINS FROM ANY CORNER IN RESPECT OF MY PROPERTY AS PER PLAN. S.D.D.M WILL NOT BE LIABLE FOR ANY TYPE OF DISPUTE IF ARISES IN FUTURE FURTHER THERE IS NO TENANT IN THE AFORSAID PREMISES.

PANCHMUKHI VILLA LLP
Anil Kumar Saraf
Designated Partner/Partner

PANCHMUKHI NIKETAN LLP
Anil Kumar Saraf
Designated Partner/Partner

PANCHMUKHI SKYSCRAPER LLP
Anil Kumar Saraf
Designated Partner/Partner

SIGNATURE OF OWNER/S

CERTIFICATE OF ENGINEER

CERTIFIED THAT THE FOUNDATION & SUPER STRUCTURE OF THE BUILDING HAS BEEN SO DESIGNED BY ME SO AS TO BE SAFE IN ALL RESPECT INCLUDING THE BEARING CAPACITY & SETTLEMENT OF SOIL AS PER (S.) STANDARD & N.B CODE. CERTIFIED THAT THE PLAN HAS BEEN DESIGNED & DRAWN UP STRICTLY ACCORDING TO THE BUILDING RULES OF S.D.D.M. I AS A STRUCTURAL ENGINEER HEREBY CERTIFY THAT I INDEMINIF S.D.D.M FROM ANY STRUCTURAL DEFECT OR FAILURE OF PROPOSED BUILDING AFTER OR DURING CONSTRUCTION. HOWEVER STRUCTURAL DESIGN CALCULATIONS ARE SUBMITTED REFERENCE & RECORD.

Anil Kumar Saraf

SIG OF B.A./B.S

SIG OF STRUCTURAL ENGINEER

PREPARED BY:

D.J. CONSULTANTS & ASSOCIATES
25, DUMDUM PARK, KOI - 55.
PHONE NO - 2590-6003, 2590-6883
e.M.L. - info@djc.org

